

Yew House, 30c Albany Road

30c Albany Road, Broughty Ferry
 TOTAL AREA: 4143.74 sq ft • LIVING AREA: 3384.69 sq ft • FLOORS: 4



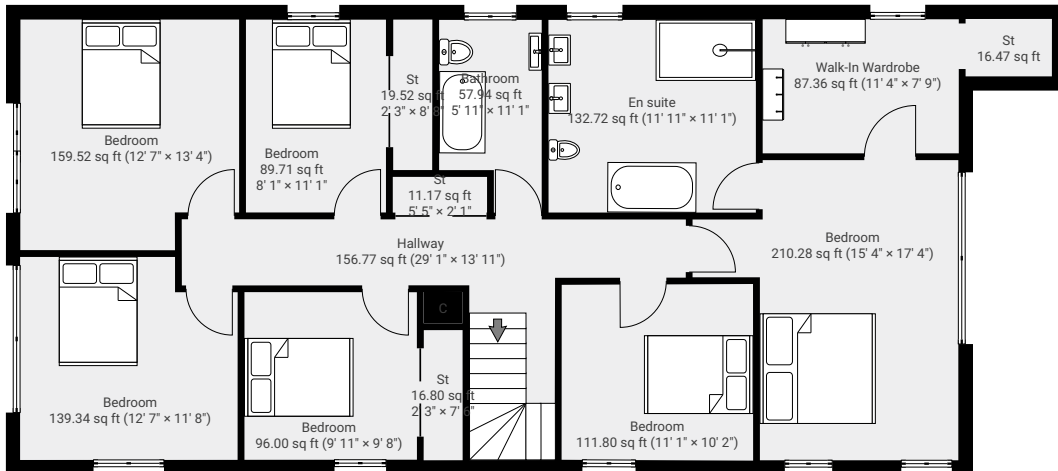
▼ Ground Floor

TOTAL AREA: 1716.42 sq ft • LIVING AREA: 1368.15 sq ft •



▼ 1st Floor

TOTAL AREA: 1308.67 sq ft • LIVING AREA: 1308.67 sq ft •



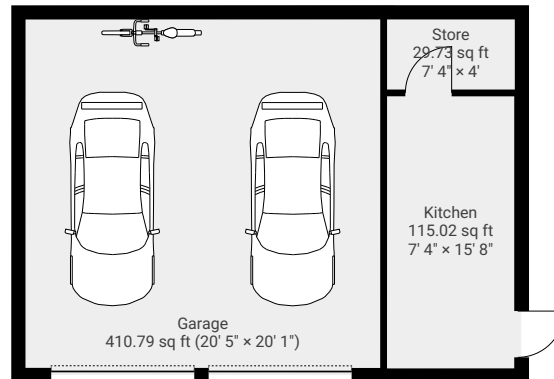
Yew House, 30c Albany Road

30c Albany Road, Broughty Ferry
TOTAL AREA: 4143.74 sq ft • LIVING AREA: 3384.69 sq ft • FLOORS: 4



▼ Garage

TOTAL AREA: 555.34 sq ft • LIVING AREA: 144.55 sq ft •



▼ Workshop

TOTAL AREA: 563.31 sq ft • LIVING AREA: 563.31 sq ft •

